



Radox 125 S2

Multicore cables screened

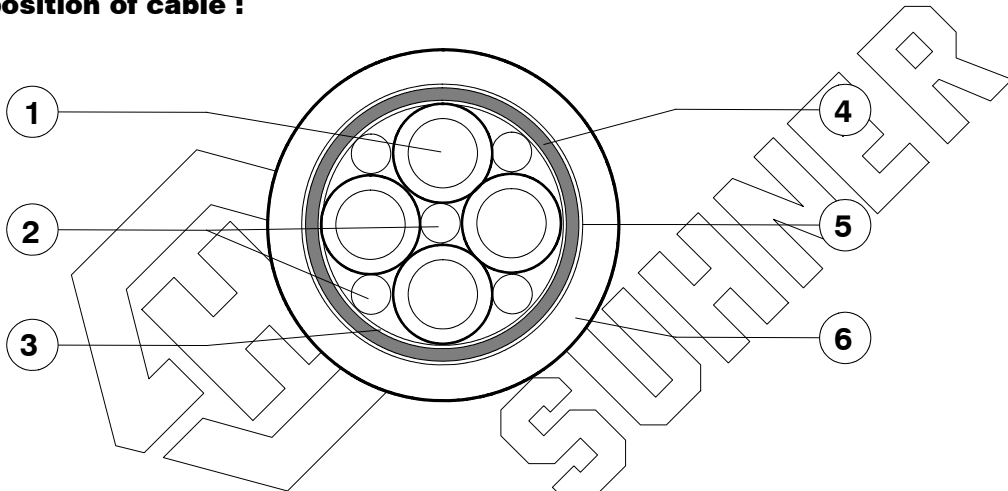
General Properties :

Excellent high temperature, low temperature, ozone and weathering resistance, halogen free, flame retardant, in case of fire no corrosive gases and low smoke generation, soldering iron resistant, flexible, easy to strip.

Application :

For permanent installation inside and outside to connect fixed and moving parts. Designed for connecting photovoltaic system components inside and outside of buildings and equipment with high mechanical requirements and extreme weather conditions.

General composition of cable :



- | | |
|---|---|
| <p>1. Cores
(for details see table 1)</p> <p>2. Filler (if necessary)</p> <p>3. Wrapping (if necessary)</p> <p>4. Screen</p> <p>5. Wrapping (if necessary)</p> <p>6. Sheath</p> | <p>Conductor : stranded tin plated copper, acc. to IEC 60228 cl. 5</p> <p>Insulation : Radox 125 :extruded irradiation crosslinked polyolefin</p> <p>Colours : 2 to 5 cores acc. HD 308 S2
6 and more cores BK numbered (+1 x GNYE)
(colours acc. customer requirements on request)</p> <p>Radox 125</p> <p>Plastic tape</p> <p>Tin plated copper braid, covering : $\geq 85\%$</p> <p>Plastic tape</p> <p>Radox 125 M : extruded irradiation crosslinked polyolefin,
Colour : black</p> |
|---|---|

Cable marking: HUBER + SUHNER SWITZERLAND RADOX 125 zzzzzzzz-zzzzzz _____ Production lot number

Technical Data :

Temperature range fixed - 40 ... +125 ... °C

Minimum temperature flexing - 25 °C

Maximum conductor temperature at short circuit (max. 5s) + 280 °C

Min. bending radius fixed 4 x cable dia.
flexing 5 x cable dia.

Copyright 2014 HUBER+SUHNER AG. This document may not be amended and its content is confidential. It may not be passed on to third party which are not bound by confidentiality.

The product fulfils the test and specification requirements described in this document for the stated areas of application and operating conditions. HUBER+SUHNER AG does not expressly or implicitly guarantee performance under additional or changed conditions. Deviations are to be agreed upon in writing.

HUBER+SUHNER AG
Low Frequency Division
 CH- 8330 Pfäffikon
 +41 (0)44 952 22 11
 +41 (0)44 952 26 40
www.hubersuhner.com



Radox 125 S2

Multicore cables screened

The cables pass the following tests:

Fire protection in buildings	Fulfilled	EN 50525
Vertical flame spread	50 < L ≤ 540 mm	EN 60332-1-2
Vertical flame spread, bunched	L ≤ 2.5 m	EN 60332-3-24
Smoke density	T ≥ 60 %	EN 61034-2
Corrosivity of combustion gases	pH ≥ 4.3, C ≤ 10 μS/mm	EN 50267-2-2
Amount of halogen acid gas	HCl + HBr ≤ 0.5 %	EN 50267-2-1
Content of fluorine	HF ≤ 0.1%	EN 60684-2, 45.2

Size n x mm ²	Conductor		Core Ø mm	R ₂₀ max Ω / km	Screen Ø mm	Cable Ø mm	Weight nom kg/100m	Nominal- voltage V	Test- voltage V	H+S Part- No.
	constr. n x mmØ	max.Ø mm								
4 G 0.5	19 x 0.18	0.9	1.7 ± 0.1	40.1	4.9	6.8 ± 0.3	8.4	450/750	2500	12 582 636
8 G 0.5	19 x 0.18	0.9	1.7 ± 0.1	40.1	7.2	9.4 ± 0.3	14.2	450/750	2500	12 585 083
9 X 0.5	19 x 0.18	0.9	1.7 ± 0.1	40.1	7.8	10.2 ± 0.4	16.9	450/750	2500	12 585 220
9 G 0.5	19 x 0.18	0.9	1.7 ± 0.1	40.1	7.8	10.2 ± 0.4	16.9	450/750	2500	12 585 515
40 X 0.5	19 x 0.18	0.9	1.7 ± 0.1	40.1	13.0	16.1 ± 0.5	46.2	450/750	2500	84 094 210
2 x 0.75	24 x 0.20	1.15	2.2 ± 0.1	26.7	4.9	6.9 ± 0.3	7.4	600/1000	3500	12 537 573
3 G 0.75	24 x 0.20	1.15	2.2 ± 0.1	26.7	5.5	7.6 ± 0.3	9.7	600/1000	3500	12 537 574
4 G 0.75	24 x 0.20	1.15	2.2 ± 0.1	26.7	6.2	8.4 ± 0.3	11.7	600/1000	3500	12 582 639
7 G 0.75	24 x 0.20	1.15	2.2 ± 0.1	26.7	8.3	10.7 ± 0.4	18.7	600/1000	3500	12 537 578
10 G 0.75	24 x 0.20	1.15	2.2 ± 0.1	26.7	9.8	12.5 ± 0.4	25.2	600/1000	3500	12 585 221
12 X 0.75	24 x 0.20	1.15	2.2 ± 0.1	26.7	10.2	12.9 ± 0.4	27.5	600/1000	3500	84 144 983
16 G 0.75	24 x 0.20	1.15	2.2 ± 0.1	26.7	11.5	14.4 ± 0.4	34.4	600/1000	3500	84 095 027
20 X 0.75	24 x 0.20	1.15	2.2 ± 0.1	26.7	13.0	16.1 ± 0.5	43.1	600/1000	3500	84 138 887
40 X 0.75	24 x 0.20	1.15	2.2 ± 0.1	26.7	16.6	20.4 ± 0.5	74.0	600/1000	3500	84 138 888
80 X 0.75	24 x 0.20	1.15	2.2 ± 0.1	26.7	24.5	29.3 ± 0.6	143	600/1000	3500	84 138 889
2 x 1	32 x 0.20	1.3	2.6 ± 0.1	20.0	5.8	7.9 ± 0.3	10.6	600/1000	3500	12 545 485
3 G 1	32 x 0.20	1.3	2.6 ± 0.1	20.0	6.3	8.7 ± 0.3	12.7	600/1000	3500	12 542 955
4 x 1	32 x 0.20	1.3	2.6 ± 0.1	20.0	7.0	9.35 ± 0.3	14	600/1000	3500	12 585 434
4 G 1	32 x 0.20	1.3	2.6 ± 0.1	20.0	7.0	9.3 ± 0.3	14	600/1000	3500	12 585 579
16 x 1	32 x 0.20	1.3	2.6 ± 0.1	20.0	6.3	16.5 ± 0.5	44.6	600/1000	3500	12 585 330
19 x 1	32 x 0.20	1.3	2.6 ± 0.1	20.0	6.3	18.5 ± 0.5	54.9	600/1000	3500	84 145 167
24 x 1	32 x 0.20	1.3	2.6 ± 0.1	20.0	17.2	21.0 ± 0.5	69.1	600/1000	3500	84 095 539
48 x 1	32 x 0.20	1.3	2.6 ± 0.1	20.0	22.7	27.3 ± 0.6	123	600/1000	3500	84 130 607
56 x 1	32 x 0.20	1.3	2.6 ± 0.1	20.0	24.3	29.0 ± 0.6	139	600/1000	3500	84 130 590



Radox 125 S2

Multicore cables screened

Querschnitt n x mm ²	Leiter Aufbau max.Ø n x mmØ mm		Ader Ø mm	R ₂₀ max Ω / km	Ab- schirmung Ø mm	Kabel Ø mm	Gewicht nom kg/100m	Nenn- span- nung V	Prüfwech- selspan- nung V	H+S Art. Nr.
2 x 1.5	30 x 0.25	1.55	2.73 ± 0.1	13.7	6.3	8.4 ± 0.3	11.8	600/1000	3500	12 420 737
3 G 1.5	30 x 0.25	1.55	2.73 ± 0.1	13.7	6.5	8.7 ± 0.3	13.0	600/1000	3500	12 537 960
4 x 1.5	30 x 0.25	1.55	2.73 ± 0.1	13.7	7.7	10.0 ± 0.3	17.2	600/1000	3500	12 585 521
4 G 1.5	30 x 0.25	1.55	2.73 ± 0.1	13.7	7.7	10.0 ± 0.3	17.2	600/1000	3500	12 582 643
5 G 1.5	30 x 0.25	1.55	2.73 ± 0.1	13.7	8.1	10.6 ± 0.4	18.9	600/1000	3500	12 583 773
7 x 1.5	30 x 0.25	1.55	2.73 ± 0.1	13.7	10.5	13.1 ± 0.4	29.6	600/1000	3500	12 585 523
7 G 1.5	30 x 0.25	1.55	2.73 ± 0.1	13.7	10.5	13.1 ± 0.4	29.6	600/1000	3500	12 420 738
8 G 1.5	30 x 0.25	1.55	2.73 ± 0.1	13.7	11.4	14.2 ± 0.4	34.3	600/1000	3500	12 566 314
10 x 1.5	30 x 0.25	1.55	2.73 ± 0.1	13.7	12.0	14.8 ± 0.4	37.0	600/1000	3500	84 144 404
12 x 1.5	30 x 0.25	1.55	2.73 ± 0.1	13.7	12.3	15.5±0.5	42	600/1000	3500	12 585 524
12 G 1.5	30 x 0.25	1.55	2.73 ± 0.1	13.7	12.3	15.35±0.35	41	600/1000	3500	12 523 559
14 G 1.5	30 x 0.25	1.55	2.73 ± 0.1	13.7	13.2	16.3 ± 0.5	46.8	600/1000	3500	12 585 753
37 x 1.5	30 x 0.25	1.55	2.73 ± 0.1	13.7	21.8	26.3 ± 0.6	116	600/1000	3500	84 150 346
16x2x1.5	30 x 0.25	1.55	2.73 ± 0.1	13.7	24.5	29.4 ± 0.6	118	600/1000	3500	12 585 668
2 x 2.5	48 x 0.25	2.05	3.5 ± 0.1	8.21	7.7	10.2 ± 0.4	17.5	600/1000	3500	12 537 605
3 G 2.5	48 x 0.25	2.05	3.5 ± 0.1	8.21	8.3	10.8 ± 0.4	20.6	600/1000	3500	12 530 949
4 G 2.5	48 x 0.25	2.05	3.5 ± 0.1	8.21	9.4	12 ± 0.4	25.5	600/1000	3500	12 584 018
5 x 2.5	48 x 0.25	2.05	3.5 ± 0.1	8.21	10.5	13.1 ± 0.4	31	600/1000	3500	12 585 525
5 G 2.5	48 x 0.25	2.05	3.5 ± 0.1	8.21	10.5	13.1 ± 0.4	31	600/1000	3500	12 582 221
7x 2.5	48 x 0.25	2.05	3.5 ± 0.1	8.21	13.2	16.3 ± 0.5	46	600/1000	3500	12 585 526
7 G 2.5	48 x 0.25	2.05	3.5 ± 0.1	8.21	13.2	16.3 ± 0.5	46	600/1000	3500	12 537 609
24 x 2.5	48 x 0.25	2.05	3.5 ± 0.1	8.21	22.5	27.2 ± 0.6	127	600/1000	3500	12 585 527



Radox 125 S2

Multicore cables screened

Size n x mm ²	Conductor constr. n x mmØ max.Ø mm		Core Ø mm	R ₂₀ max Ω / km	Screen Ø mm	Cable Ø mm	Weight nom kg/100m	Nominal- voltage V	Test- voltage V	H+S Part- No.
2 x 4	56 x 0.30	2.65	4.15 ± 0.15	5.09	9.2	11.9 ± 0.4	24.4	600/1000	3500	12 586 520
3 G 4	56 x 0.30	2.65	4.15 ± 0.15	5.09	9.8	12.5 ± 0.4	29.2	600/1000	3500	12 555 628
5 x 4	56 x 0.30	2.65	4.15 ± 0.15	5.09	12.5	15.5 ± 0.4	44.3	600/1000	3500	12 585 528
8 G 4	56 x 0.30	2.65	4.15 ± 0.15	5.09	16.6	20.4 ± 0.5	73.2	600/1000	3500	84 093 889
12 x 4	56 x 0.30	2.65	4.15 ± 0.15	5.09	18.6	22.5 ± 0.5	92	600/1000	3500	12 582 949
8 x 6	81 x 0.30	3.4	4.95 ± 0.15	3.39	20.1	24.3 ± 0.5	105.1	600/1000	3500	84 144 563
10 x 6	81 x 0.30	3.4	4.95 ± 0.15	3.39	21.0	25.5 ± 0.5	114.9	600/1000	3500	84 144 562
1 x 10	78 x 0.40	4.4	6.15 ± 0.15	1.95	6.8	8.9 ± 0.2	17.7	600/1000	3500	12 555 448
4 G 10	78 x 0.40	4.4	6.15 ± 0.15	1.95	16.3	19.8 ± 0.5	77.7	600/1000	3500	85 009 712
5 G 10	78 x 0.40	4.4	6.15 ± 0.15	1.95	18.6	22.5 ± 0.5	98.3	600/1000	3500	12 583 676
8 x 10	78 x 0.40	4.4	6.15 ± 0.15	1.95	24.9	29.8 ± 0.6	160	600/1000	3500	84 144 743
2 x 16	119x0.40	5.4	7.35 ± 0.15	1.24	15.9	19.4 ± 0.5	71	600/1000	3500	12 583 311
3 x 16	119x0.40	5.4	7.35 ± 0.15	1.24	17.1	20.8 ± 0.5	88.1	600/1000	3500	12 585 352
4 G 16	119x0.40	5.4	7.35 ± 0.15	1.24	19.5	23.7 ± 0.5	112.9	600/1000	3500	84 147 552
2 x 25	182x0.40	6.7	8.9 ± 0.2	0.795	19	23 ± 0.5	100	600/1000	3500	12 583 312
3 x 25	182x0.40	6.7	8.9 ± 0.2	0.795	20.5	24.6 ± 0.5	123	600/1000	3500	12 584 059
4 x 25	182x0.40	6.7	8.9 ± 0.2	0.795	23.7	28.4 ± 0.6	160	600/1000	3500	84 001 631
3 x 35	266x0.40	7.9	10.3 ± 0.2	0.565	23.7	28.3 ± 0.6	169	600/1000	3500	12 585 350
4 x 35	266x0.40	7.9	10.3 ± 0.2	0.565	27	32.3 ± 0.6	217	600/1000	3500	12 585 529
8 x 35	266x0.40	7.9	10.3 ± 0.2	0.565	36.6	43.1 ± 0.7	398	600/1000	3500	12 583 217
2 x 50	378x0.40	9.4	12.1 ± 0.25	0.393	25.7	30.4 ± 0.6	180	600/1000	3500	12 584 166
3 x 50	378x0.40	9.4	12.1 ± 0.25	0.393	27.6	32.8 ± 0.6	237	600/1000	3500	12 585 399
4 x 50	378x0.40	9.4	12.1 ± 0.25	0.393	31.7	37.5 ± 0.7	320	600/1000	3500	12 585 308
4 G 50	378x0.40	9.4	12.1 ± 0.25	0.393	31.7	37.5 ± 0.7	320	600/1000	3500	85 025 498
3 x 70	348x0.50	11.5	14.4 ± 0.25	0.277	33	39.2 ± 0.7	334	600/1000	3500	12 585 351
4 G 70	348x0.50	11.5	14.4 ± 0.25	0.277	37	43.6 ± 0.7	434	600/1000	3500	85 025 523
4 x 95	444x0.50	12.9	16.0 ± 0.3	0.210	41	48.0 ± 0.7	530	600/1000	3500	85 025 524