



# Radox 155

## Multicore cables screened

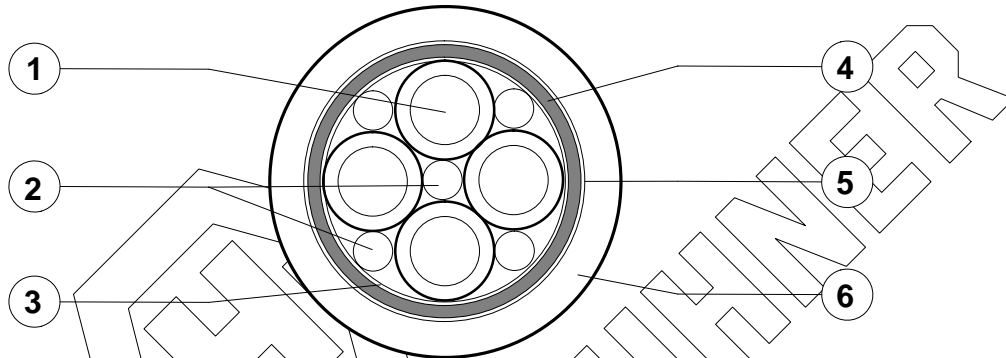
### General Properties :

Excellent high temperature, low temperature, ozone and weathering resistance, flame retardant, soldering iron resistant, flexible, easy to strip.

### Application :

For permanent installation inside and outside to connect fixed and moving parts.

### General composition of cable :



- |   |   |
|---|---|
| <p>1. Cores<br/>(for details see table 1)</p> <p>2. Filler ( if necessary )</p> <p>3. Wrapping ( if necessary )</p> <p>4. Screen</p> <p>5. Wrapping ( if necessary )</p> <p>6. Sheath</p> <p>Printing on sheath :</p> | <p>Conductor : stranded tin plated copper, acc. to IEC 60228 cl. 5<br/>Insulation : Radox 155 :extruded irradiation crosslinked polyolefin,<br/>Colours : 2 to 5 cores acc. CENELEC, HD 308<br/>6 and more cores BK numbered +1 x GNYE<br/>(or colours acc. customer requirements on request)</p> <p>Radox 125</p> <p>Plastic tape</p> <p>Tin plated copper braid, covering : <math>\geq 85\%</math></p> <p>Plastic tape</p> <p>Radox 155, extruded irradiation crosslinked polyolefin,<br/>Colour : black</p> <p>Huber + Suhner Switzerland 12.....-[zzzzzz] Radox 155</p> |
|---|---|

### Technical Data :

Temperature range .....	fixed .....	- 55 ... +155 ... °C
Minimum temperature .....	flexing .....	- 40 ..... °C
Maximum conductor temperature at short circuit ( max. 5s ) .....		+ 280 ..... °C
Min. bending radius .....	fixed .....	4 x cable dia.
	flexing .....	5 x cable dia.

### The cables pass the following fire tests:

Vertical flame spread of a single cable . EN 50265-2-1, IEC 60332-1

Vertical flame spread of bunched cables DIN EN 50266-2-5 ..... Category D

Copyright 2003 Huber + Suhner AG. This document may not be copied nor be passed on to third parties without our written permission.  
Uncontrolled copy when printed (will not be updated).

The product fulfils the test and specification requirements described in this document for the stated areas of application and operating conditions. HUBER+SUHNER AG does not expressly or implicitly guarantee performance under additional or changed conditions. Deviations are to be agreed upon in writing.

**HUBER+SUHNER**  
**Wire+Cable Division**

CH-8330 Pfäffikon  
 +41 (0)1 952 22 11  
 +41 (0)1 952 26 40  
[www.hubersuhner.com](http://www.hubersuhner.com)



# Radox 155

## Multicore cables screened

**Table 1 :**

Dimensions, conductor resistance at 20°C, weight, nominal and test voltage,

Size n x mm <sup>2</sup>	Conductor		Core dia. mm	R <sub>20</sub> max Ω / km	Screen dia. mm	Cable dia. mm	Weight nom kg/100m	Nominal- voltage V	Test- voltage V
	constr. n x mmØ	max. dia. mm							
2 x 0.25	19 x 0.12	0.61	1.45 ± 0.05	88.5	3.35	5.1 ± 0.3	3.43	450/750	2500
6 x 0.25	19 x 0.12	0.61	1.45 ± 0.05	88.5	5.07	6.95±0.15	6.71	450/750	2500
4x2x0.25	19 x 0.12	0.61	1.45 ± 0.05	88.5	11.2	14.0 ± 0.4	27.7	450/750	2500
4 x 0.5	19 x 0.18	0.9	1.71 ± 0.10	40.1	5.55	7.6 ± 0.15	7.62	450/750	2500
16 x 0.5	19 x 0.18	0.9	1.71 ± 0.10	40.1	9.0	11.6 ± 0.4	20.3	450/750	2500
3 G 1.5	30 x 0.25	1.61	2.73 ± 0.10	13.3	6.6	8.7 ± 0.3	11.6	600/1000	3500
10 G 1.5	30 x 0.25	1.61	2.73 ± 0.10	13.3	11.9	14.7 ± 0.4	33.2	600/1000	3500
26 G 1.5	30 x 0.25	1.61	2.73 ± 0.10	13.3	18.0	22.0 ± 0.5	74.1	600/1000	3500
8 G 2.5	50 x 0.25	2.06	3.5 ± 0.10	8.6	14.5	17.9 ± 0.5	49.8	600/1000	3500
9 G 2.5	50 x 0.25	2.06	3.5 ± 0.10	8.6	15.1	18.6 ± 0.5	51.8	600/1000	3500

HUBER + SUHNER